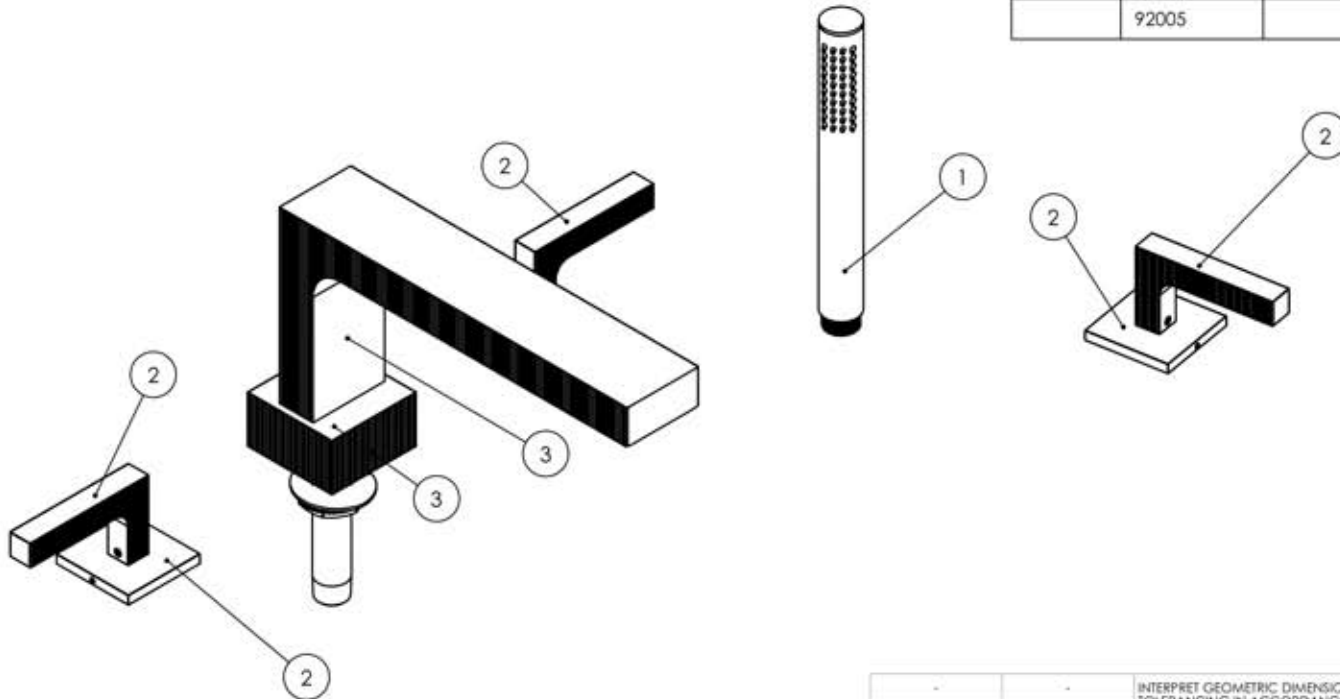


ITEM NO.	PART NUMBER	DESCRIPTION	QTY.	
	92176	WEAR WASHER	1	
	92008	SET SCREW, CUP POINT 8-32	1	
A	3	3-107/00	ASSY, SPOUT ROMAN TUB RIBBED LOW	1
	10951/00	SPOUT, DECK TUB 291 STRIA	1	
	11224/00	ESCUTCHEON, SPOUT STRIA SERIES	1	
	10987	NIPPLE 1/2" NPT TO NPSM	1	
	92158	DOWEL PIN, 1/8" X 3/8"L	2	
	92175	NUT, MOUNT 1/2" NPS	1	
	92174	WASHER MOUNT WIDESPREAD (3/8")	1	
B	90131	O-RING, 1-11/16ID X 3/32THK, AS-568-131	1	
	11220	SPUD SCREW, 1/2"-NPSM CONNECTOR	1	
	P05051	AERATOR, CACHE COINED SLOT M24X1.0 FULL FLOW	1	

ITEM NO.	PART NUMBER	DESCRIPTION	QTY.
1	P15028/00	ROUND HANDSHOWER	1
	P15028_1	CYLINDER HAND HELD SHOWER BODY	1
	P15028_2	CYLINDER HAND HELD SHOWER CAP	1
	90528	O-RING, METRIC 15MM ID X 1.0MM THK.	1
	P15028_5	HAND HELD SHOWER FACE	1
	P15028_3	CYLINDER HAND HELD SHOWER INSERT	1
	P15028_6	HAND HELD SHOWER NIPPLE	1
	90011	O-RING, 5/16"ID X 7/16"OD X 1/16"THK, AS-568-011	2
	P15028_4	RETAINING INSERT	1
	P15028_7	HAND HELD SHOWER NIPPLE ADAPTOR	1
2	3-109/00	ASSY. HANDLE RIBBED LEVER	3
	10937/00	ESCUTCHEON, HANDLE EDGE SERIES	1
	10298/00	HANDLE, LEVER EDGE SERIES	1
	92005	SET SCREW, CUP PT 6-32UNC THREAD 3/16"L	1



PRELIMINARY PRINT
 FOR DEVELOPMENT USE ONLY
 DRAWING SUBJECT TO CHANGE
 WITHOUT NOTICE

ZONE	REV.	DESCRIPTION	DATE	APPROVED
REVISIONS				
PHYLORICH®				
1261 LOGAN AVENUE COSTA MESA, CALIFORNIA 92626 PHONE: 714.361.4800 FAX: 714.617.3120		Defining Luxury Since 1959		

PROPRIETARY AND CONFIDENTIAL
 THE INFORMATION CONTAINED IN THIS DRAWING IS THE SOLE PROPERTY OF RSS MANUFACTURING. ANY REPRODUCTION IN PART OR AS A WHOLE WITHOUT THE WRITTEN PERMISSION OF RSS MANUFACTURING IS PROHIBITED.

NEXT ASSY		USED ON		FRACTIONS ±1/64"		DECIMALS X.X: ±.1 X.XX: ±.01 X.XXX: ±.005		ANGULAR ±.5°	
APPLICATION		MATERIAL		DRAWN		NAME		DATE	
FINISH		CHECKED		MAF		CA		11/27/2013	

DECK HAND SHOWER KIT, LEVER HANDLE, STRIA SERIES

SIZE	ASM/PRT NO.	REV
A	291-49/00	
SCALE: 1:4	WEIGHT: lbs.	SHEET 1 OF 2

DO NOT SCALE DRAWING